

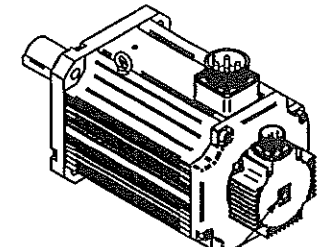
No.	Item	Symbol	Unit	Specification	No.	Item	Symbol	Unit	Specification
1	Drive	-	-	3 ϕ 220 VAC	13	Rotor Inertia	Jm	kg-cm ²	108.4 \pm 10%
2	Cooling Method	-	-	Totally Enclosed	14	Rated Power Rate	Q-R	Kw/s	210.78
3	Exciting Method	-	-	Permanent Magnet	15	Resistance	Ra	Ω	0.1 \pm 10%/2 ϕ
4	Resolution	-	-	17bit INC	16	Inductance	L	mH	2.5 \pm 10% / 2 ϕ
5	Rated Output	P-R	W	7500	17	Mech. Time Constant	Tm	ms	0.96 \pm 10%
6	Rated Torque	T-R	N-m	47.8	18	Elect. Time Constant	Te	ms	25 \pm 10%
7	Max. Torque	T-max	N-m	122.6	19	Insulation Class	-	-	Class F
8	Rated Speed	N-R	rpm	1500	20	Operation Temp.	T	$^{\circ}$ C	0-40
9	Rated Current	I-R	A	38.6	21	Operation Humd.	RH	%	<80
10	Max. Current	I-max	A	99.1	22	Storage Temp.	T	$^{\circ}$ C	-20 $^{\circ}$ -60 $^{\circ}$
11	Torque Constant	Kt	N-m/A	1.24 \pm 10%	23	Storage Humd.	RH	%	<80
12	Voltage Constant	Ke	V/krpm	82.3 \pm 10%	24	Weight	W	kgv	T.B.D

Pin	Signal
B	+5V
I	0V
A	U
C	V
H	SD
D	SD-
G	W
E	FG
F	FG

Encoder Wiring

PIN	Signal
A	U
B	V
C	W
D	FG

Motor Wiring



Name Plate for Notice

AC SERVO MOTOR

Model: JSMA-PIH75A7K

Pr: 7.5 KW ; Nr: 1500 rpm

Ir: 38.6 A , Tr: 47.8 N-m

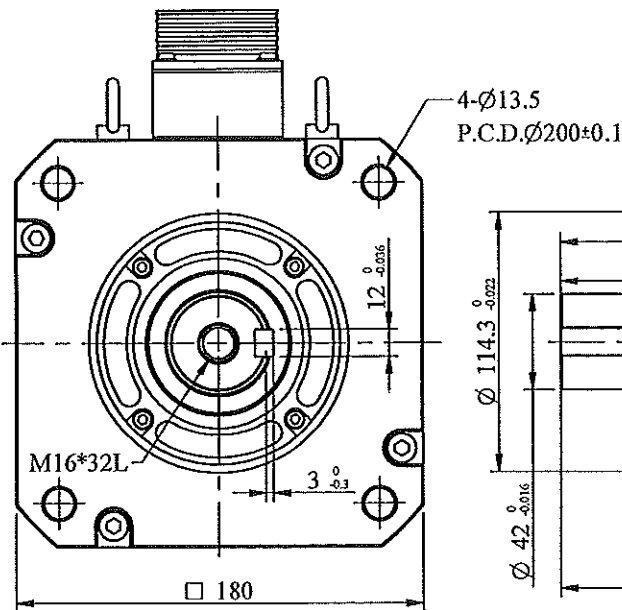
NO. _____

TECO ELECTRIC & MACHINERY CO., LTD.
MADE IN TAIWAN

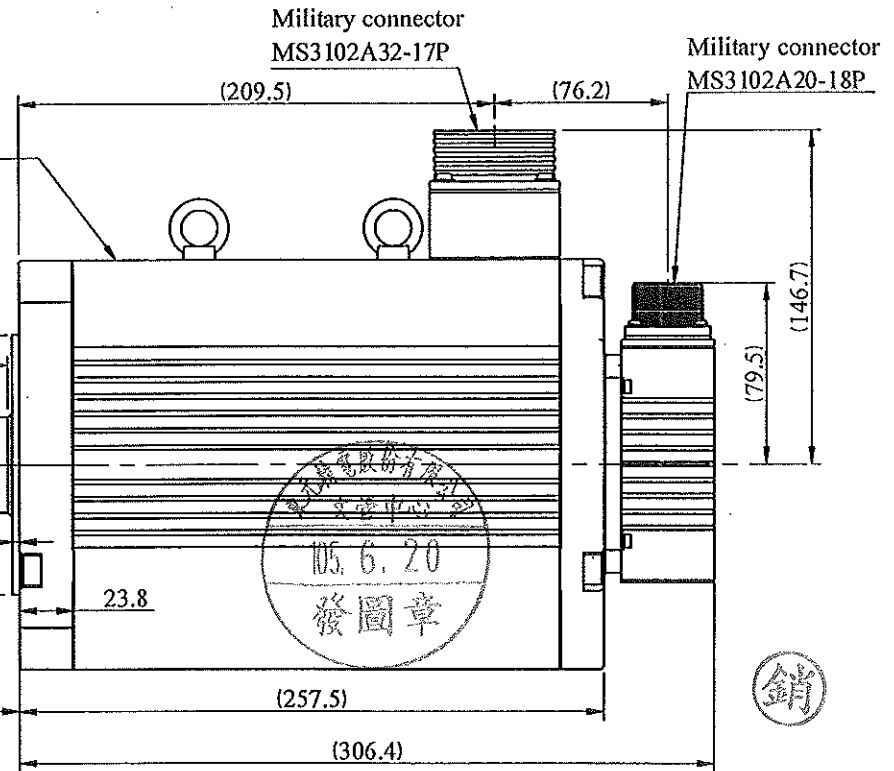
Name Plate for Spec



Name Plate for Notice



Name Plate for Spec



Note:
Motor to be IP67.
(excluding the shaft opening & connectors).

STANDARD TOLERANCE		APVD	SCALE	UNIT	NAME
X	\pm 0.5	Michelle	3/10	m m	Servo Motor Outline Drawing
.X	\pm 0.2		3RD .A.P		JSMA-PIH75A7K
.XX	\pm 0.05				
ANGLE	\pm 30'	Chase			
MATERIAL		DWN			
REV	DESCRIPTION	SIGNATURE	DATE	SIGNATURE	DATE

TECO ELECTRO DEVICES CO., LTD. Dept. Design DWG.NO. D01B18752H3N7AD01